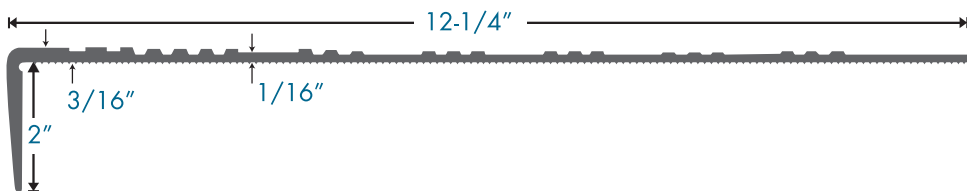




SR5010, SR5010SA,
ST5010DA ABRASIVE INSERT

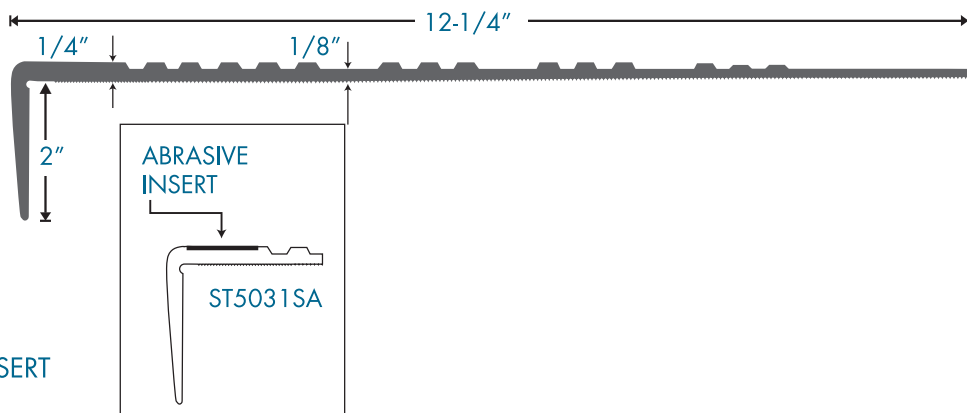


■ SR5010 ■ SR5010SA/SR5010DA ABRASIVE INSERT

Standard duty Stair Tread to suit most commercial applications
Safety grip top rib pattern
Available with single abrasive insert. Specify part #ST5010SA
Available with double abrasive inserts. Specify part # ST5010DA

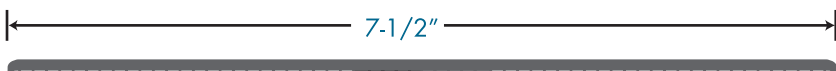
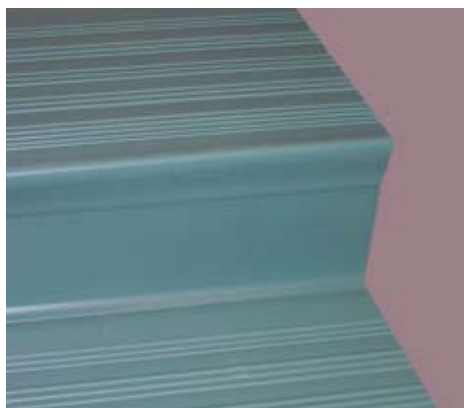


ST5030, ST5030SA
ABRASIVE INSERT



■ SR5030 ■ SR5030SA ABRASIVE INSERT

Heavy duty Commercial Stair Tread
Safety grip top rib pattern
Available with one abrasive insert.
Specify part #ST5030SA.
Easy flex leg for set back risers



■ SR5080

7-1/2" Stair Riser
6" Base may also be used as Stair Riser

ARCHITECTS' MATERIAL SPECIFICATION

ALL RUBBER/ VINYL STAIR TREADS supplied under this specification shall be BENGARD RUBBER/VINYL STAIR TREADS and are designated as (Specify ST5010, ST5030, ST5030SA, ST5010SA, or ST5010DA for SAFETY GRIPS), and shall have a square nose that is 2" long as measured from the bottom of tread. The width of the tread shall be 12-1/4" and a length of (Specify length up to 12 feet). The color shall be ..(Specify color from Bengard Color Chart). The Stair Tread will be installed using only premium adhesives specifically designed to be used with stair treads and vinyl compatible. ST5010 and ST5030 are in full compliance with Federal Specification RR-T-650 E, Composition B, Type 2 dated February 25, 1994 superseding RR-T-650D, September 22, 1988.

- Available in all 36 colours
- Available with special order only ■ Available in all 18 ESSENTIALS colours ■ Available in 4 colours (Beige, Black, Brown & Grey)
- Available in 8 colours (Black, Brown, Beige, Grey, Charcoal, Medium Grey, Sable & Fawn)

For colour availability please refer to Colour Guide/Legend on pg. 34