

BENGARD

Floor Moulding Specialists

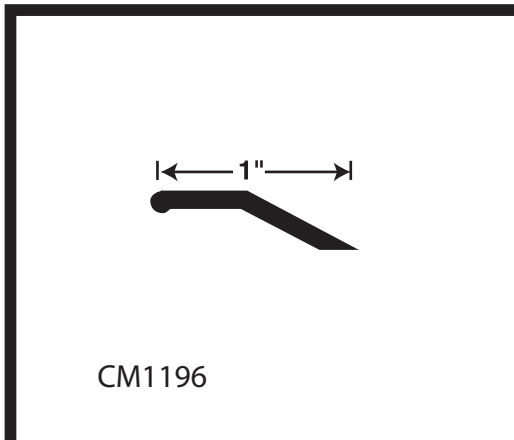
New Product Update

January 2008



CM1196
BEVEL BAR 1INX12FT

HAMMERED DARK BRONZE



CM1196: Bevel Bar
1" Bevel bar for transitions. Made for height differentials of up to 3/16".

Available: Hammered Dark Bronze

Features

NOW AVAILABLE IN HAMMERED DARK BRONZE

CM1196 HDB - 42 PIECES PER TUBE
12 foot length

Distributed By

BENGARD MANUFACTURING
www.loxcreenflooring.com

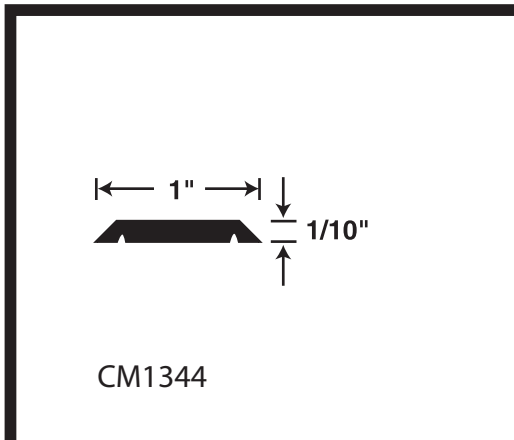
New Product Update

January 2008



CM1344
FLAT BAR 1INX12FT

HAMMERED DARK BRONZE



CM1344: Flat Bar
1" Flat joiner. For binding seams at doorways where dissimilar floors of equal height meet.

Available: Hammered Dark Bronze

Features

NOW AVAILABLE IN HAMMERED DARK BRONZE

CM1344 HDB - 42 PIECES PER TUBE
12 foot length

Distributed By

New Product Update

January 2008



CM1740
Carpet Edge - Pinned
12 foot length
HAMMERED DARK BRONZE



CM1740

CM1740: Pinned Tapdown
Residential weight pinned tapdown for use with low to medium pile action backed carpet up to 30oz. Ultra pin system for maximum holding strength. 5/8" top face.

Available: Hammered Dark Bronze

Features

NOW AVAILABLE IN HAMMERED DARK BRONZE

CM1740 HDB - 24 PIECES PER TUBE
12 foot length

Distributed By

BENGARD

Floor Moulding Specialists

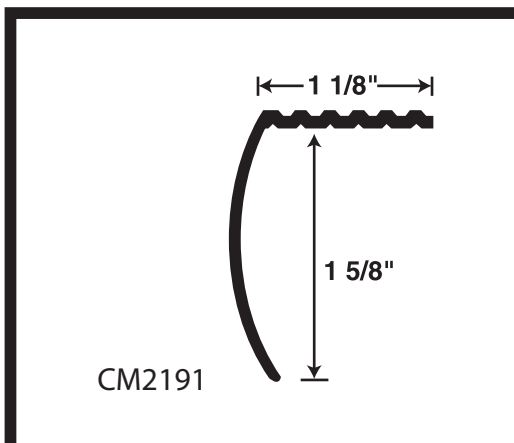
New Product Update

January 2008



CM2191
Stair Nose 1-5/8IN X 12FT

HAMMERED DARK BRONZE



CM2191 - Stair Nose
1-5/8" drop stair nosing. Protects edge of stair from damage. This product is designed for light commercial or residential use.

Available: Hammered Dark Bronze

Features

NOW AVAILABLE IN HAMMERED DARK BRONZE

CM2191 HDB - 24 PIECES PER TUBE
12 foot length

Distributed By

BENGARD MANUFACTURING
www.loxcreenflooring.com

BENGARD

Floor Moulding Specialists

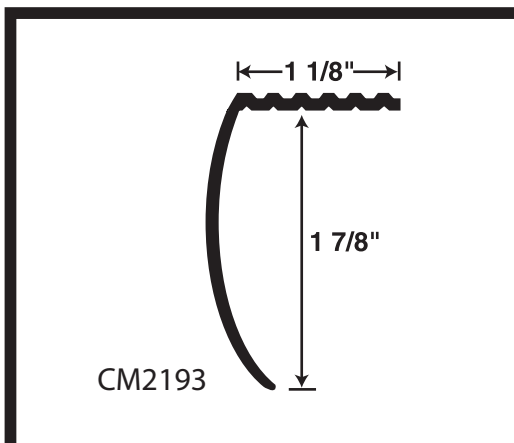
New Product Update

January 2008



CM2193
Stair Nose 1-7/8IN X 12FT

HAMMERED DARK BRONZE



CM2193 - Stair Nose
1-7/8" drop stair nosing. Protects edge of stair from damage. This product is designed for light commercial or residential use.

Available: Hammered Dark Bronze

Features

NOW AVAILABLE IN HAMMERED DARK BRONZE

CM2193 HDB - 24 PIECES PER TUBE
12 foot length

Distributed By

BENGARD MANUFACTURING
www.loxcreenflooring.com

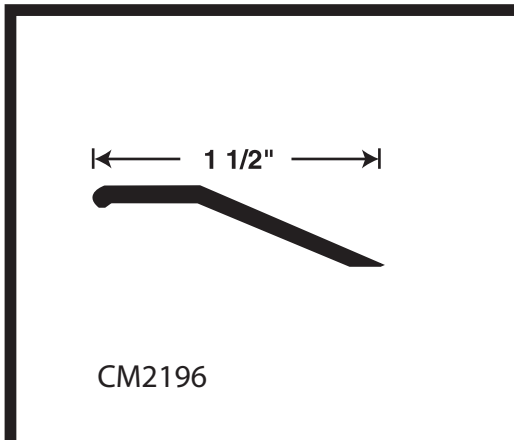
New Product Update

January 2008



CM2196
BEVEL BAR 1-1/2INX12FT

HAMMERED DARK BRONZE



CM2196: Bevel Bar
1-1/2" Bevel bar for transitions. Made for height differentials of up to 3/16".

Available: Hammered Dark Bronze

Features

NOW AVAILABLE IN HAMMERED DARK BRONZE

CM2196 HDB - 42 PIECES PER TUBE
12 foot length

Distributed By